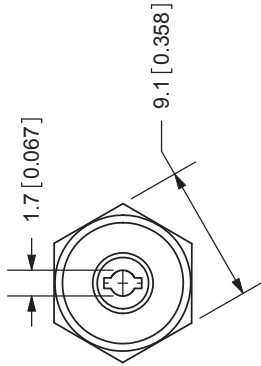
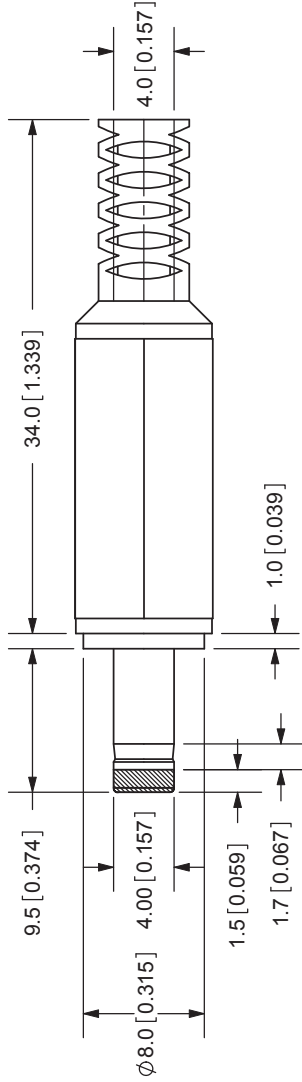


REV.	DESCRIPTION	DATE
A	NEW DRAWING	5/15/2006



TOLERANCE:  
 X.X ±0.2mm  
 X.XX ±0.1mm  
 X.XXX ±0.05mm

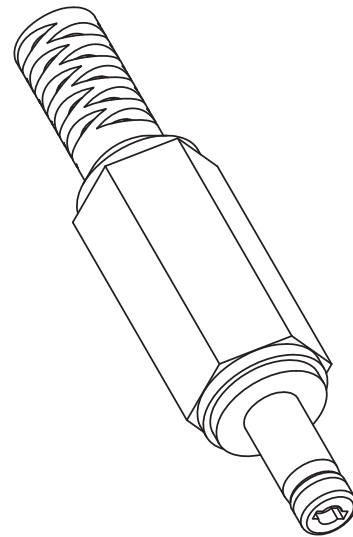


**CUI INC**

20050 SW 112th Ave.  
 Tualatin, OR 97062  
 Phone: 503-612-2300  
 800-275-4899  
 Fax: 503-612-2383  
 Website: www.cui.com

SPECIFICATIONS:  
 RATING: 24V DC @ 5A  
 OPERATING TEMP: 0° ~ +40°C

TITLE: DC POWER PLUG	REV: A
PART NO: PP-013	UNITS: MM [INCHES]
DRAWN BY: ZRJ	APPROVED BY:
MATERIAL	PLATING
COVER: PVC	Black Color
BARREL: Brass	Nickel
TERMINALS: Brass	Nickel
TIP INSULATOR: POM	Yellow Color



PC FILENAME: PP-013

COPYRIGHT 2007 BY CUI INC.

SCALE: 2:1