



PART NUMBER: GF0701M

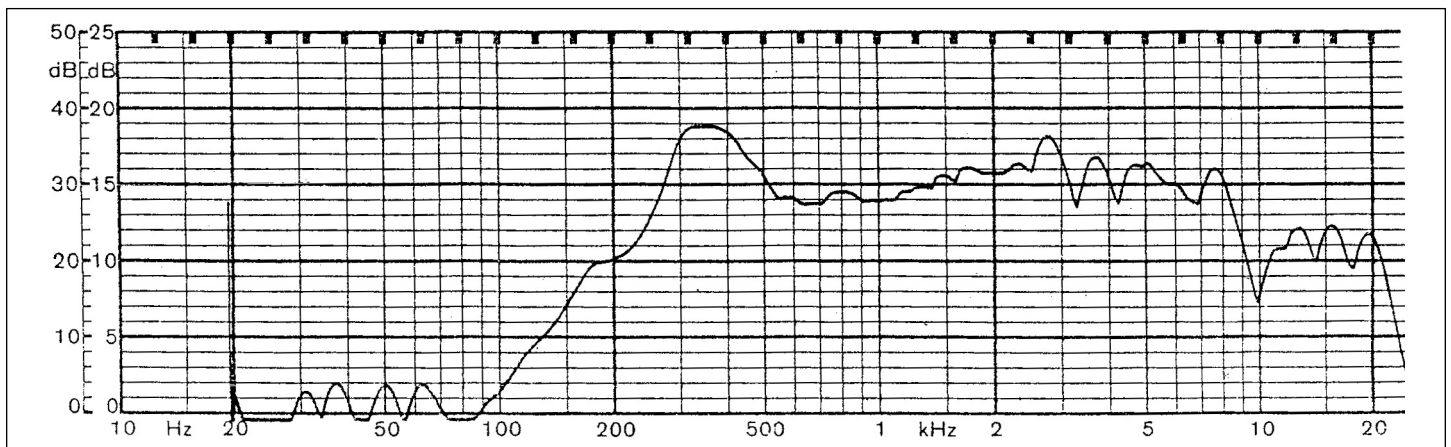
DESCRIPTION: speaker

SPECIFICATIONS

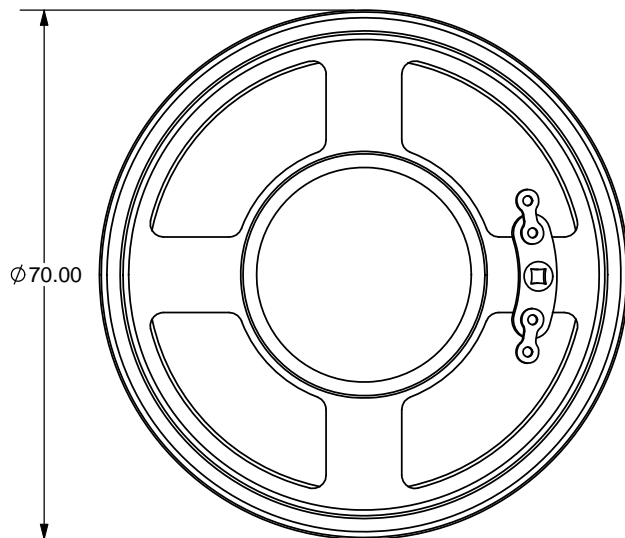
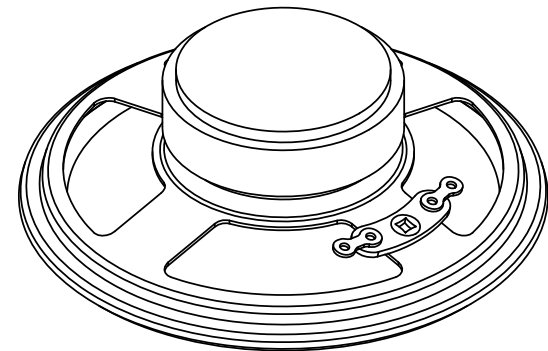
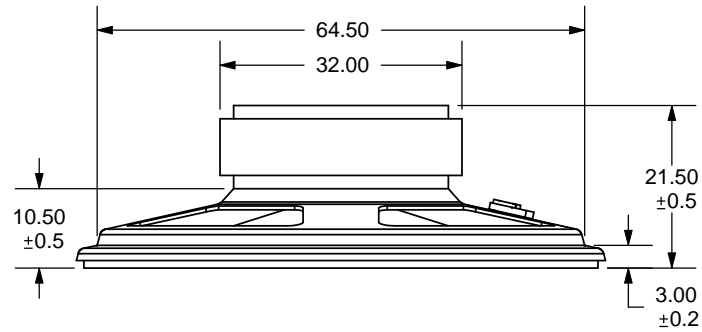
nominal size	70 mm		
impedance	8 Ohm \pm 15%	at	0.8 KHz 1 V
resonant frequency	350 Hz \pm 70 Hz	at	1 V
sound pressure level	88 dB/w \pm 3 dB	1 w 50 cm ave. at 0.6K, 0.8K, 1K, 1.2K Hz	
response	Fo Hz ~ 9.5 KHz max 10 dB		
input power	nominal 1 W	handling capacity	2 W
operation	must be normal at program source 1 W		
buzz, rattle, etc.	must be normal at sine wave 2.82 V		
magnet	size: 32 x 18 x 6 mm		
load test	white noise 1 W	for	5 hours
heat test	70 \pm 2° C	20-50% R.H.	5 hours
humidity test	40 \pm 2° C	90-95% R.H.	5 hours

FREQUENCY RESPONSE CURVE

potentiometer range	50 dB
rectifier	RMS
lower limit frequency	20 Hz
wr. speed	100 mm/sec

zero level 60 dB

REV.	DESCRIPTION	DATE
A	NEW DRAWING	4/24/2008



TOLERANCE:
±0.5mm UNLESS OTHERWISE
SPECIFIED



20050 SW 112th Ave.
Tualatin, OR 97062
Phone: 503-612-2300
800-275-4899
Fax: 503-612-2383
Website: www.cui.com

TITLE: Round frame mylar cone - ferrite magnet		REV: A
PART NO. GF0701M	UNITS: MM [INCHES]	
DRAWN BY: ZRJ	APPROVED BY:	SCALE: 1:1

PC FILE NAME:
GF0701M

COPYRIGHT 2008 BY CUI INC.