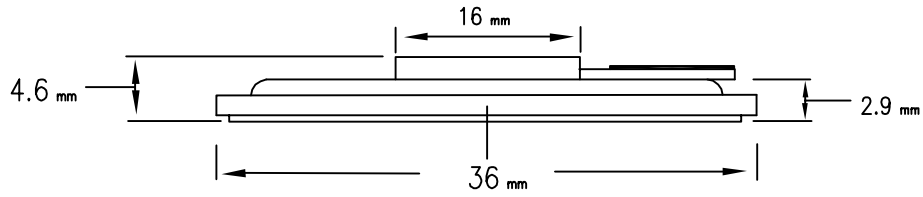
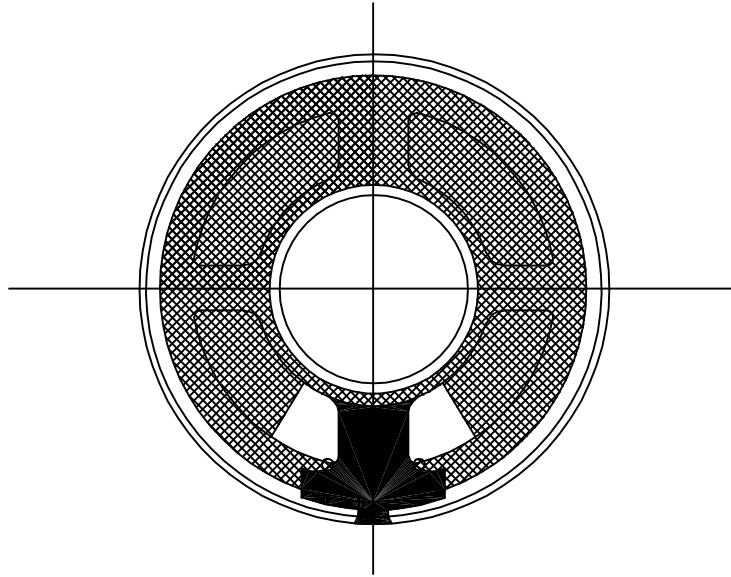

CUI INC

9615 SW Allen, Suite 103
 Beaverton, OR 97005
 Phone: (503) 643-4899
 800-275-4899
 Fax: (503) 372-1266
 Website: www.cui.com

Specifications

1	Part No.	GC0362MA			
2	Nominal Size	36 mm.	inch		
3	Impedance	$8 \Omega \pm 15\%$	at	1.5K Hz.	1 V.
4	Resonance	520 Hz.±	104 Hz.	F0 Hz.	1 V.
5	S.P. Level	82 dB/w±	3 dB	0.3 w. 50 cm. average at	
6	Response	fo Hz.~	6K Hz.	MAX 10dB	1K, 1.2K, 1.5K, 2K Hz.
7	Crossover Freq.	Hz.	Hz.	dB/OCT	Net work
8	Input Power	Nominal Input	0.3 w.	Handling Capacity	0.5 w.
9	Operation	Must be normal at program source			0.3 w.
10	Buzz, Rattle, etc.	Must be normal at sine wave			4.4 v.
11	Flux Density	Gauss ± 10%			
12	Total Flux	Max well min			
13	Magnet	Size	9.5 x 1.5 mm	gr	oz
14	Total Weight				gr oz
15	Load Test	After test meet item 9 and 10	White noise	0.3 W.	24 Hours
16	Distortion	% MAX		Hz	W.
17	Heat Test	After test meet item 9 and 10	70±2 ±°C	20-50 %R.H.	24 Hours
18	Humidity Test	After test meet item 9 and 10	40±2 ±°C	90-95 %R.H.	24 Hours

PART NO.	GC0362MA	UNITS:	mm
DRAWN BY:		PAGE NO:	1 of 2



CUI INC

9615 SW Allen, Suite 103
Beaverton, OR 97005
Phone: (503) 643-4899
800-275-4899
Fax: (503) 372-1266
Website: www.cui.com

TITLE:

PART NO.

GC0362MA

UNITS:

mm

DRAWN BY:

Page No.

2 of 2