
CUI INC

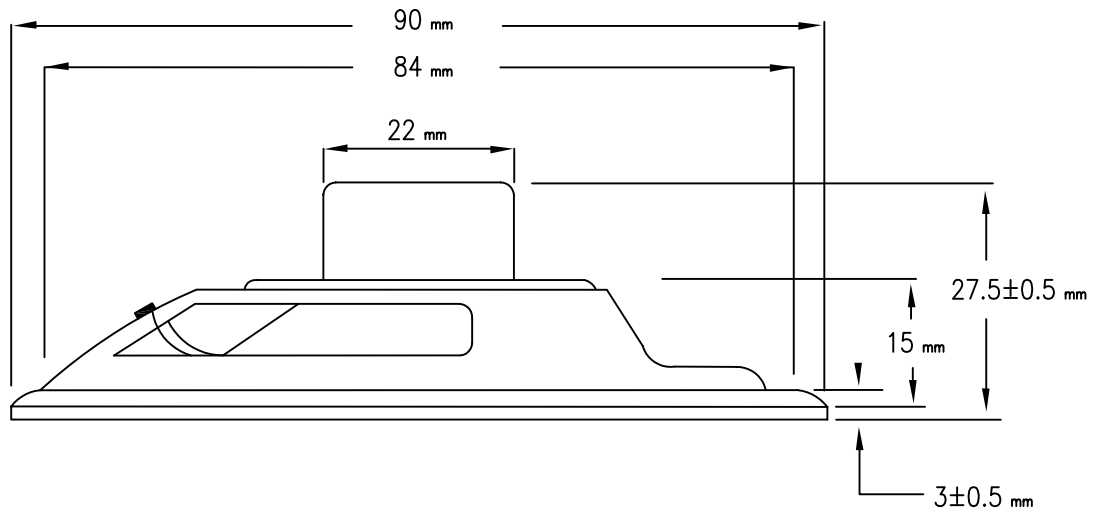
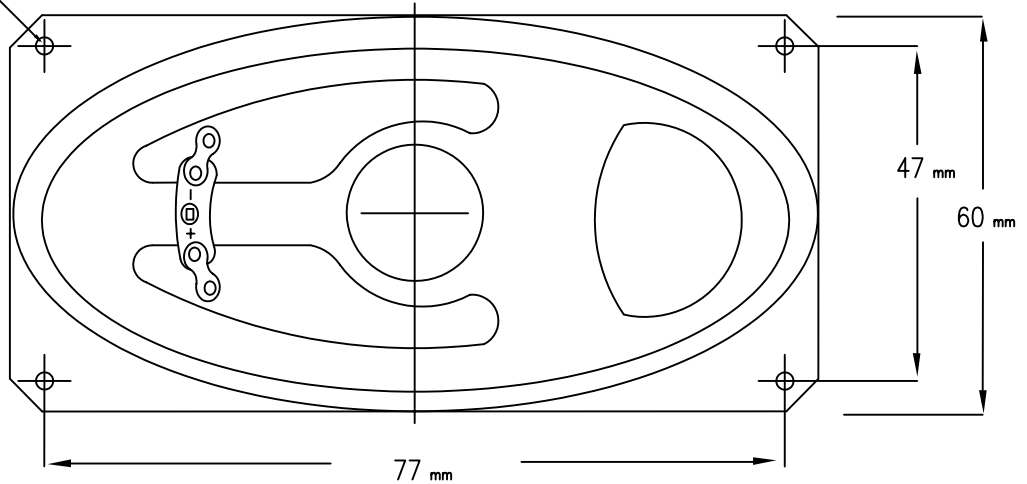
9615 SW Allen, Suite 103
 Beaverton, OR 97005
 Phone: (503) 643-4899
 800-275-4899
 Fax: (503) 372-1266
 Website: www.cui.com

Specifications

1	Part No.	GA0929			
2	Nominal Size	60 X 90 mm.	2 1/2 X 3 1/2"	inch	
3	Impedance	8 Ω \pm 15%	at 800 Hz.	1 V.	
4	Resonance	300 Hz. \pm 60 Hz.	FO Hz.	1 V.	
5	S.P. Level	91 dB/w \pm 3 dB	1 w. 50 cm. average at		
6	Response	fo Hz. \sim 15K Hz. MAX 10dB	600, 800, 1K, 1.2K Hz.		
7	Crossover Freq.	Hz. Hz.	dB/OCT	Net work	
8	Input Power	Nominal Input 1 w.	Handling Capacity 2 w.		
9	Operation	Must be normal at program source 1 w.			
10	Buzz, Rattle, etc.	Must be normal at sine wave 2.83 v.			
11	Flux Density	Gauss \pm 10%			
12	Total Flux	Max well min			
13	Magnet	Size 13 x 10 mm	gr	oz	
14	Total Weight	gr oz			
15	Load Test	After test meet item 9 and 10	White noise 1 W.	48 Hours	
16	Distortion	% MAX Hz W.			
17	Heat Test	After test meet item 9 and 10	70 \pm 2 \pm °C	20-50 %R.H.	48 Hours
18	Humidity Test	After test meet item 9 and 10	40 \pm 2 \pm °C	90-95 %R.H.	48 Hours

PART NO.	GA0929	UNITS:	mm
DRAWN BY:		PAGE NO:	1 of 2

4.2 mm x 4



9615 SW Allen, Suite 103
Beaverton, OR 97005
Phone: (503) 643-4899
800-275-4899
Fax: (503) 372-1266
Website: www.cui.com

TITLE:

PART NO.

GA0929

UNITS:

mm

DRAWN BY:

Page No.

2 of 2