



Part No: CLS0301MP-1

Date: 7/03/2007

Unit: mm

Description: speaker

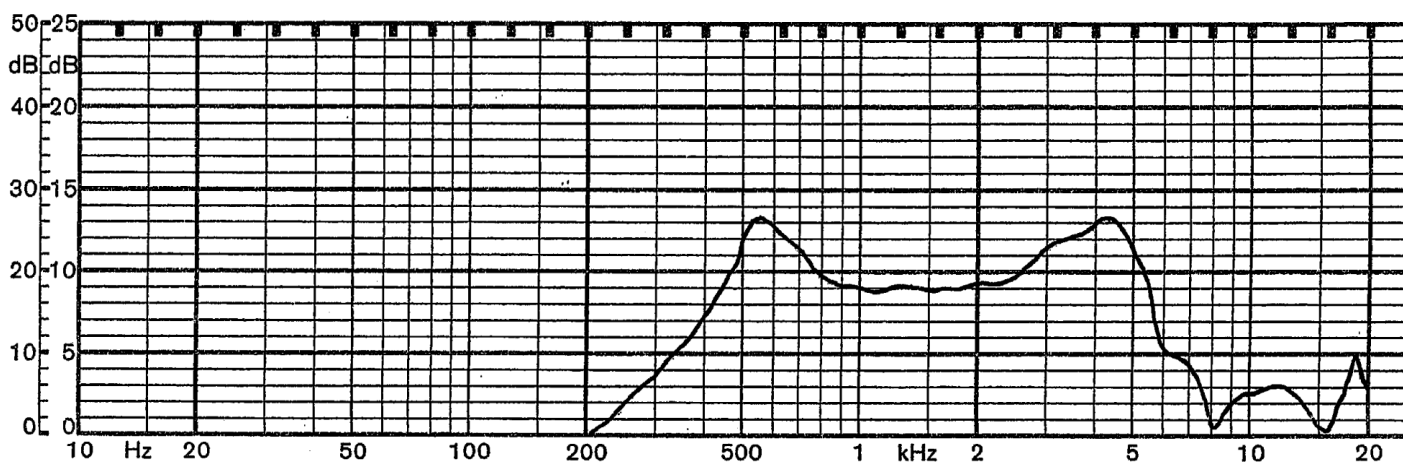
Page No: 1 of 2

## Specifications

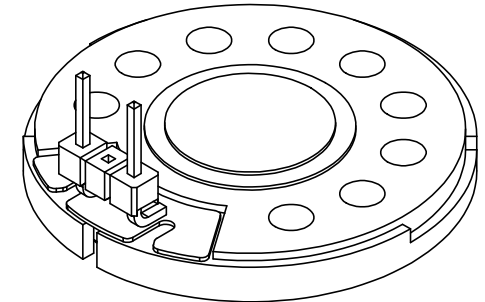
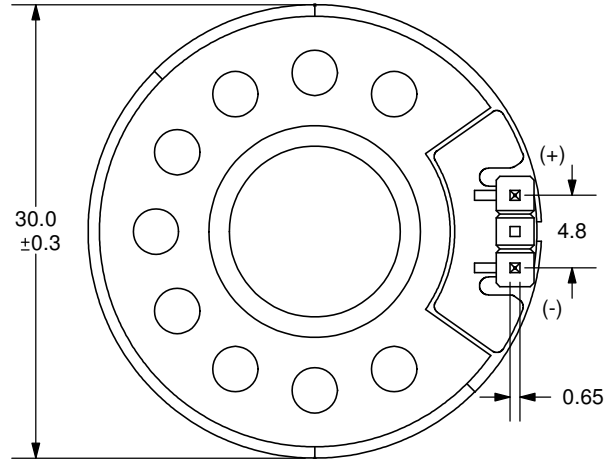
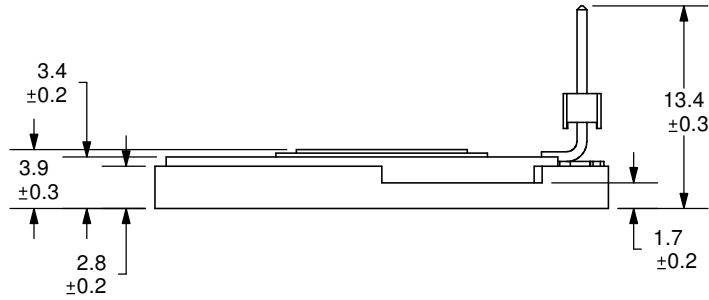
Nominal Size	30 mm		
Impedance	8 Ohm $\pm$ 15%	at	1.5 KHz 1 V
Resonant frequency	500 Hz $\pm$ 100 Hz	at	1 V
Sound pressure level	78 dB/w $\pm$ 3 dB	0.2 w 50 cm ave. at 0.8K, 1K, 1.2K, 1.5K Hz	
Response	Fo Hz ~ 6 KHz max 10 dB		
Input power	Nominal 0.2 W	Handling capacity	0.3 W
Operation	must be normal at program source 0.2 W		
Buzz, rattle, etc.	must be normal at sine wave 1.26 V		
Magnet	Size: 9.5 x 1.0 mm		
Load test	White noise 0.2 W	for	24 hours
Heat test	60 $\pm$ 2° C	20-50% R.H.	24 hours
Humidity test	40 $\pm$ 2° C	90-95% R.H.	24 hours

## Frequency Response Curve

Potentiometer range	50 dB
Rectifier	RMS
Lower limit frequency	20 Hz
Wr. speed	100 mm/sec

Zero level 60 dB

REV.	DESCRIPTION	DATE
A	NEW DRAWING	7/3/2007



TOLERANCE:  
±0.5mm UNLESS OTHERWISE  
SPECIFIED



20050 SW 112th Ave.  
Tualatin, OR 97062  
Phone: 503-612-2300  
800-275-4899  
Fax: 503-612-2383  
Website: www.cui.com

TITLE: LOW PROFILE SPEAKER		REV: A
PART NO. CLS0301MP-1	UNITS: MM [INCHES]	
DRAWN BY: ZRJ	APPROVED BY:	SCALE: 2:1

PC FILE NAME:  
CLS0301MP-1

COPYRIGHT 2007 BY CUI INC.