



date 02/2010

page 1 of 2

PART NUMBER: CLS0231MA-1-L152

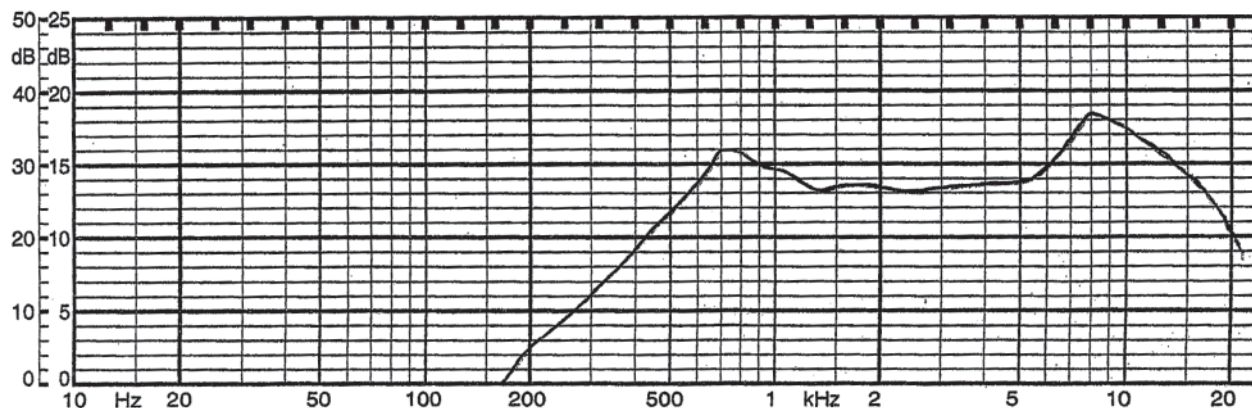
DESCRIPTION: SPEAKER

SPECIFICATIONS

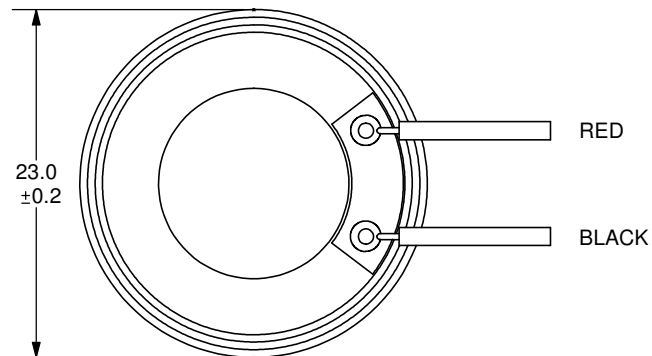
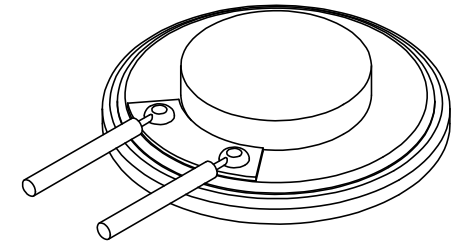
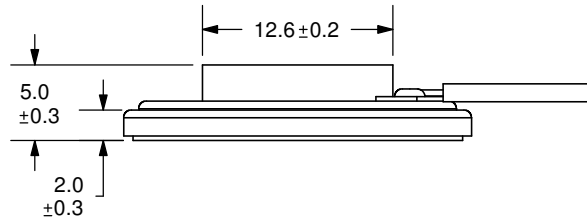
parameter	conditions/description	min	nom	max	units
nominal size	23 mm				
impedance	at 1 kHz, 1 V	6.8	8	9.2	Ω
resonant frequency	at 1 V	536	670	804	Hz
sound pressure level	1 W, 50 cm ave., at 0.8, 1, 1.2, 1.5 kHz	86	89	92	dB
response	10 dB max.	Fo		20,000	Hz
input power			0.5	1	W
operation	must be normal at program source		0.5		W
buzz, rattle, etc.	must be normal at sine wave		2		V dc
magnet	size: 9.5 x 1.5 mm				
load test	24 hours of white noise at		0.5		W
heat test	20 ~ 50% RH for 24 hours	53	55	57	$^{\circ}\text{C}$
humidity test	90 ~ 95% RH for 24 hours	38	40	42	$^{\circ}\text{C}$
RoHS	yes				

FREQUENCY RESPONSE CURVE

parameter	conditions/description
potentiometer range	50 dB
rectifier	RMS
lower limit frequency	20 Hz
wr. speed	100 mm/sec
zero level	60 dB



REV.	DESCRIPTION	DATE
A	NEW DRAWING	7/3/2007



SPECIFICATIONS:
 WIRE: UL1007, #28AWG
 LENGTH: 152mm

TOLERANCE:
 ±0.5mm UNLESS OTHERWISE
 SPECIFIED



20050 SW 112th Ave.
 Tualatin, OR 97062
 Phone: 503-612-2300
 800-275-4899
 Fax: 503-612-2383
 Website: www.cui.com

TITLE: LOW PROFILE SPEAKER		REV: A
PART NO. CLS0231MA-1-L152	UNITS: MM [INCHES]	
DRAWN BY: ZRJ	APPROVED BY:	SCALE: 2:1