

**CUI INC**

date 10/2010

page 1 of 2

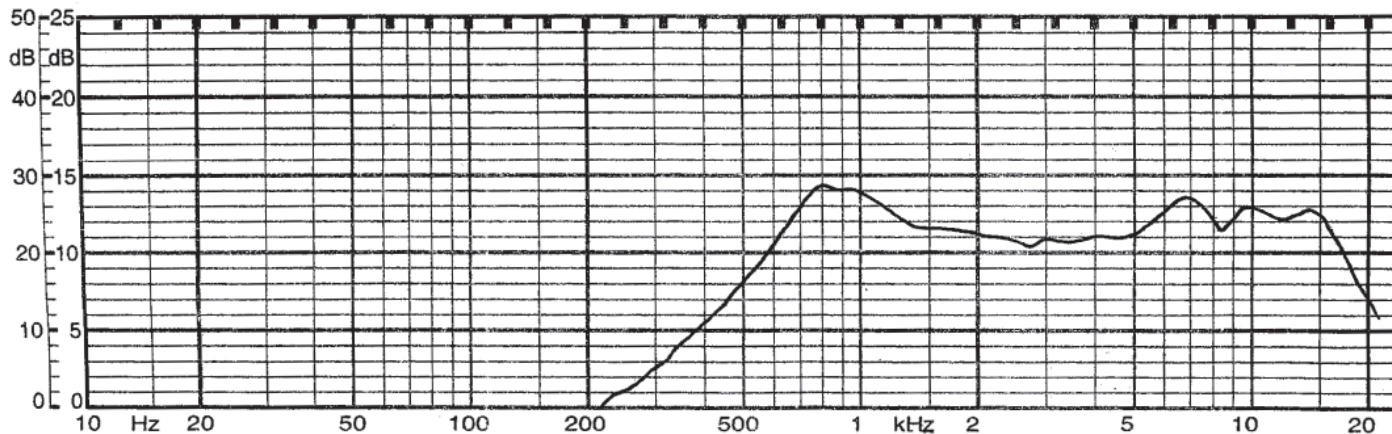
**PART NUMBER: CLS0201MA-L152****DESCRIPTION: SPEAKER**

## SPECIFICATIONS

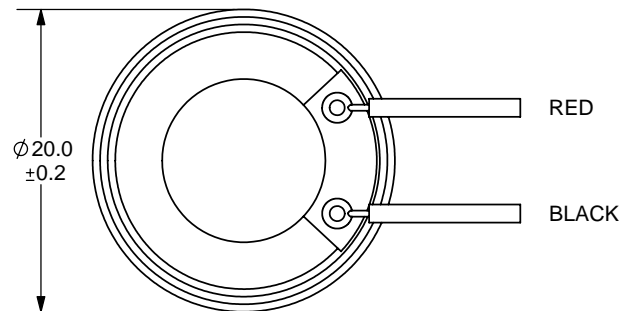
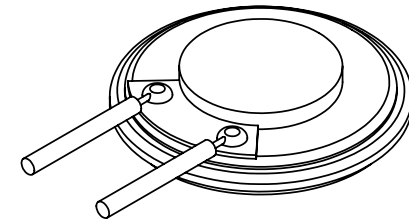
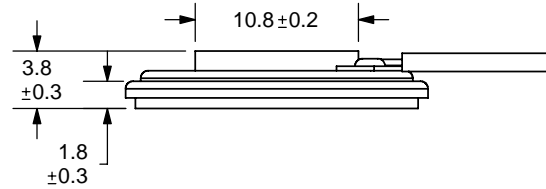
| parameter            | conditions/description                   | min | nom | max    | units        |
|----------------------|--|-----|-----|--------|--------------|
| nominal size         | 20 mm                                    |     |     |        |              |
| impedance            | at 1 kHz, 1 V                            | 6.8 | 8   | 9.2    | $\Omega$     |
| resonant frequency   | at 1 V                                   | 600 | 750 | 900    | Hz           |
| sound pressure level | 1 W, 50 cm ave., at 0.8, 1, 1.2, 1.5 kHz | 83  | 86  | 89     | dB           |
| response             | 10 dB max.                               | Fo  |     | 20,000 | Hz           |
| input power          |  |     | 0.5 | 1      | W            |
| operation            | must be normal at program source         |     | 0.5 |        | W            |
| buzz, rattle, etc.   | must be normal at sine wave              |     | 2   |        | V dc         |
| magnet               | size: 8 x 1 mm                           |     |     |        |              |
| load test            | 24 hours of white noise at               |     | 0.5 |        | W            |
| heat test            | 20 ~ 50% RH for 24 hours                 | 58  | 60  | 62     | $^{\circ}$ C |
| humidity test        | 90 ~ 95% RH for 24 hours                 | 38  | 40  | 42     | $^{\circ}$ C |
| RoHS                 | yes                                      |     |     |        |              |

## FREQUENCY RESPONSE CURVE

| parameter             | conditions/description |
|-----------------------|------------------------|
| potentiometer range   | 50 dB                  |
| rectifier             | RMS                    |
| lower limit frequency | 20 Hz                  |
| wr. speed             | 100 mm/sec             |
| zero level            | 60 dB                  |



| REV. | DESCRIPTION | DATE     |
|------|-------------|----------|
| A    | NEW DRAWING | 7/3/2007 |



SPECIFICATIONS:  
 WIRE: UL1007, #28AWG  
 LENGTH: 152mm

TOLERANCE:  
 ±0.5mm UNLESS OTHERWISE  
 SPECIFIED



20050 SW 112th Ave.  
 Tualatin, OR 97062  
 Phone: 503-612-2300  
 800-275-4899  
 Fax: 503-612-2383  
 Website: www.cui.com

|                            |                    |            |
|----------------------------|--------------------|------------|
| TITLE: LOW PROFILE SPEAKER |                    | REV: A     |
| PART NO. CLS0201MA-L152    | UNITS: MM [INCHES] |            |
| DRAWN BY: ZRJ              | APPROVED BY:       | SCALE: 2:1 |